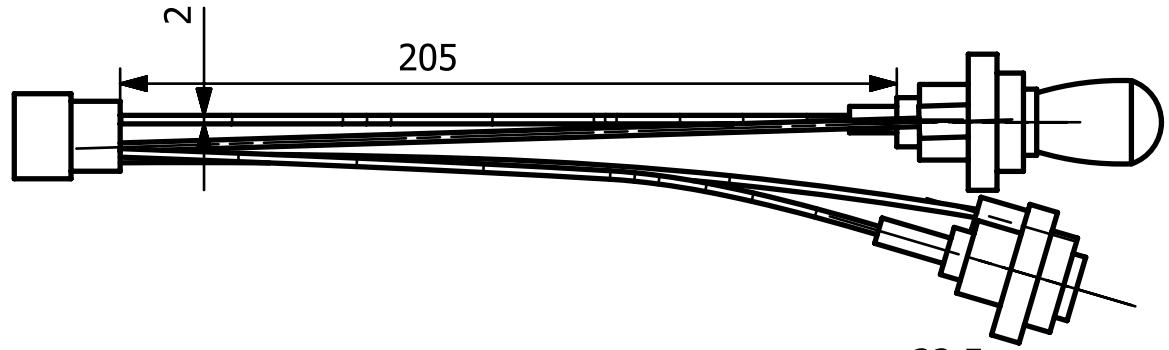


1 2 3 4 5 6

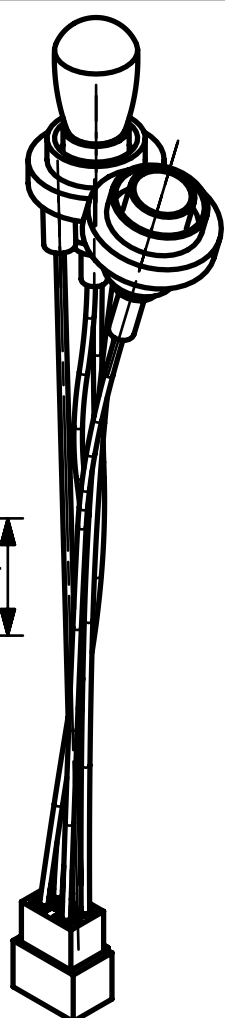
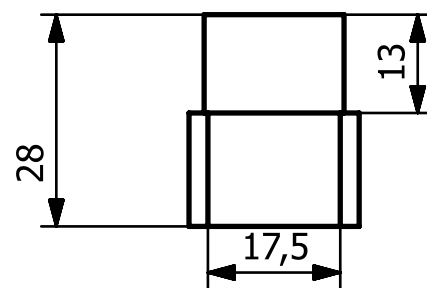
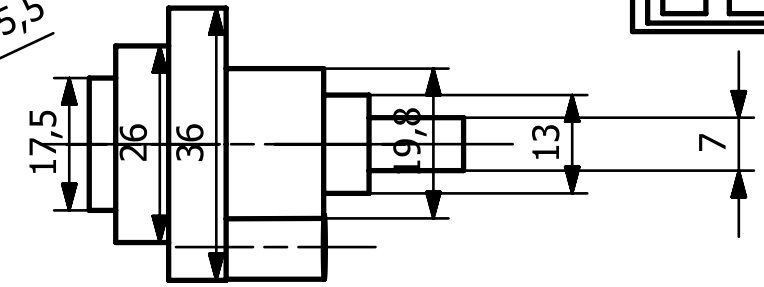
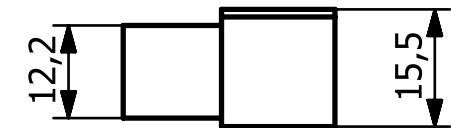
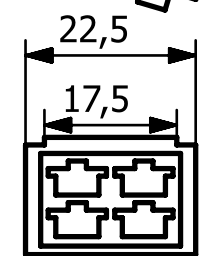
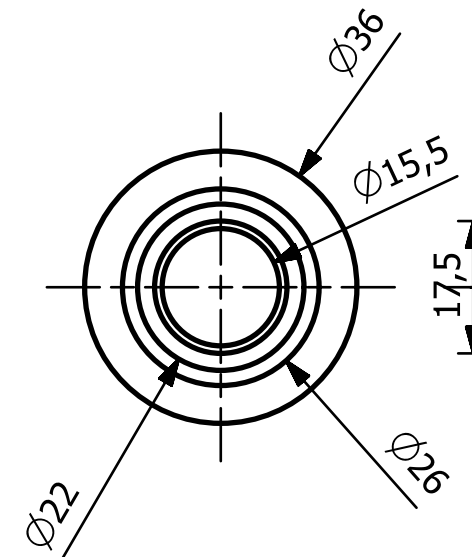
A

A



B

B



C

C



Uzbekistan Namangan region

FIRST ISSUED	
DRAWN BY	Abbosov A
CHECKED BY	Yoqubjonov M
APPROVED BY	

TITLE	
SIZE	DWG NO.
A4	Jgut
SCALE 1:2	SHEET 1 OF 1

D

1 2 3 4 5 6 A4